

- Ground
- Power
- LED
- Internal Pin
- SWD Pin
- Digital Pin
- Analog Pin
- Other Pin
- Microcontroller's Port
- Default

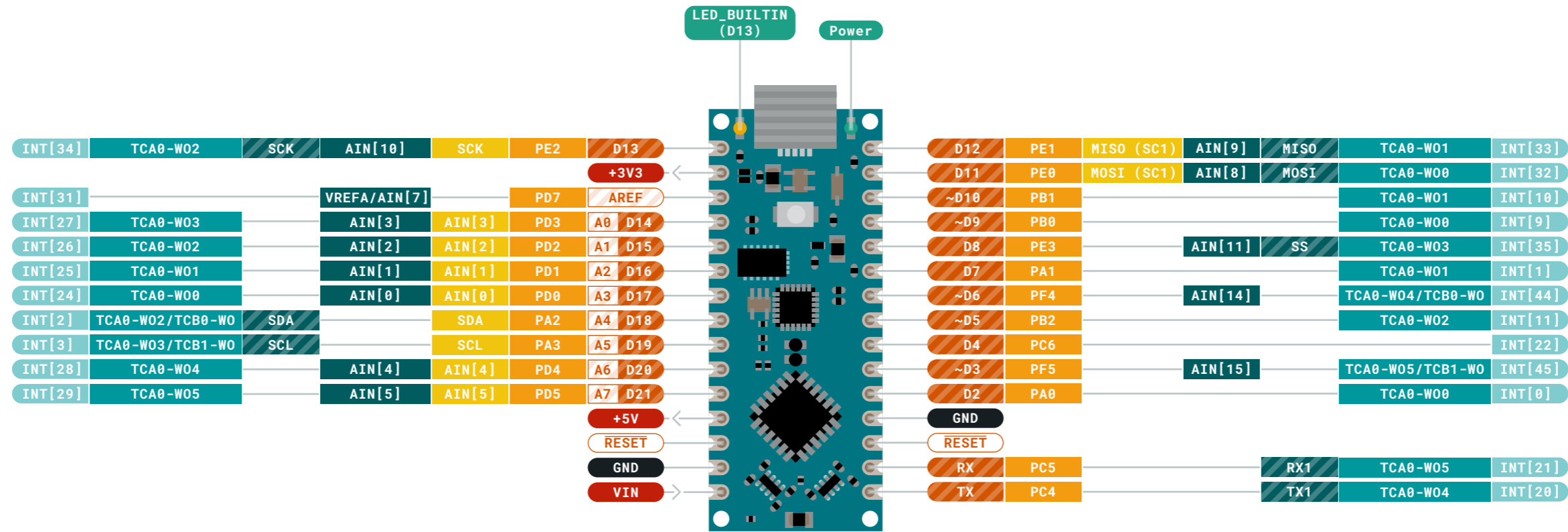
⚠️ **MAXIMUM** current per pin 40mA, 20mA recommended

⚠️ **MAXIMUM** current 200mA for the entire package

⚠️ The total current of each port power group **should not exceed** 100mA

VIN 7-21 V input to the board.



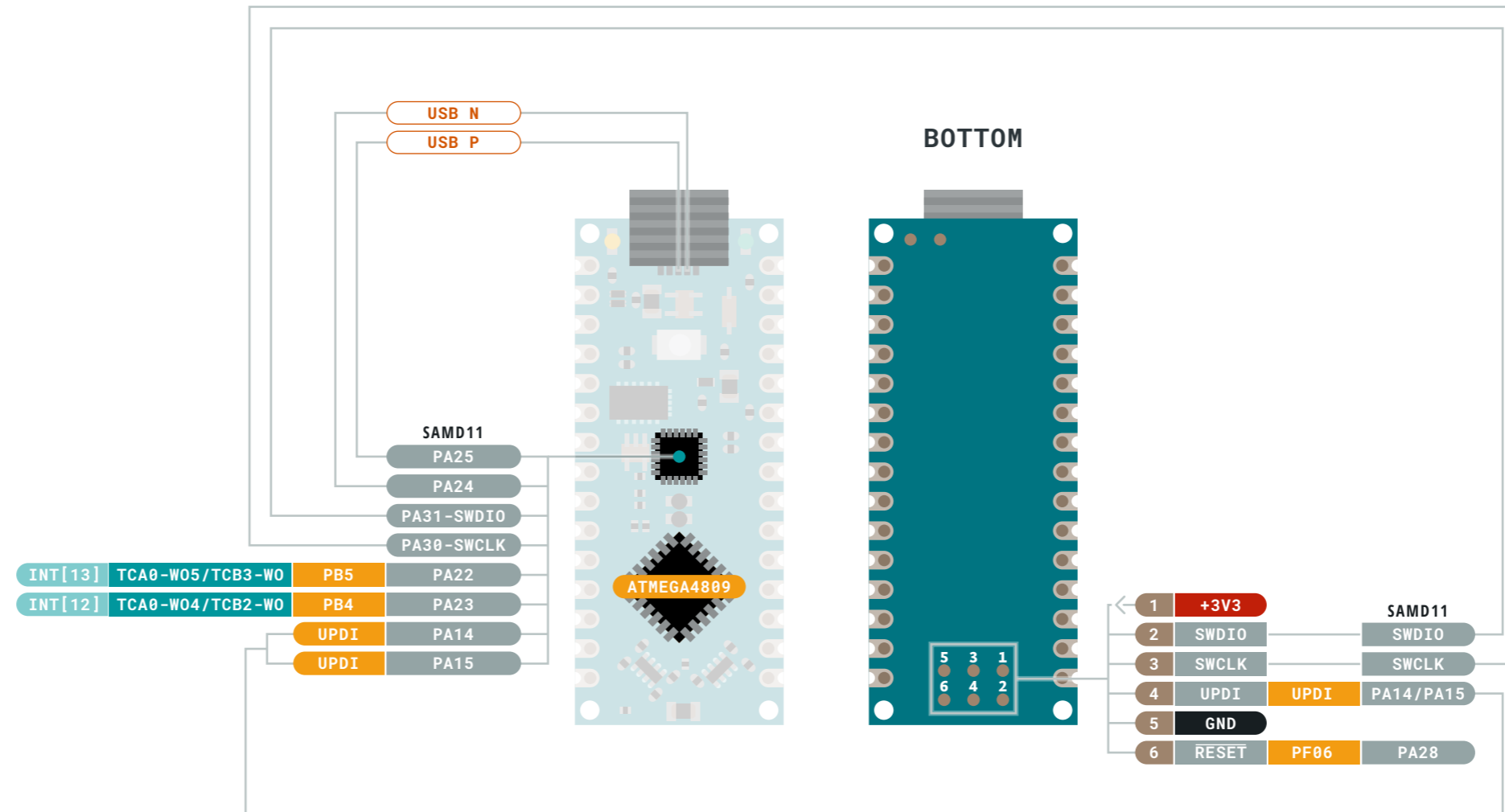


- Ground
- Power
- LED
- Internal Pin
- SWD Pin
- Digital Pin
- Analog Pin
- Other Pin
- Microcontroller's Port
- Default
- Analog
- Communication
- Timer
- Interrupt
- Sercom

- ⚠ **MAXIMUM** current per pin 40mA, 20mA recommended
- ⚠ **MAXIMUM** current 200mA for the entire package
- ⚠ The total current of each port power group **should not exceed** 100mA

VIN 7-21 V input to the board.





- Ground
- Power
- LED
- Internal Pin
- SWD Pin
- Digital Pin
- Analog Pin
- Other Pin
- Microcontroller's Port
- Default
- Analog
- Communication
- Timer
- Interrupt
- Sercom

- ⚠ **MAXIMUM** current per pin 40mA, 20mA recommended
- ⚠ **MAXIMUM** current 200mA for the entire package
- ⚠ The total current of each port power group **should not exceed** 100mA

VIN 7-21 V input to the board.

