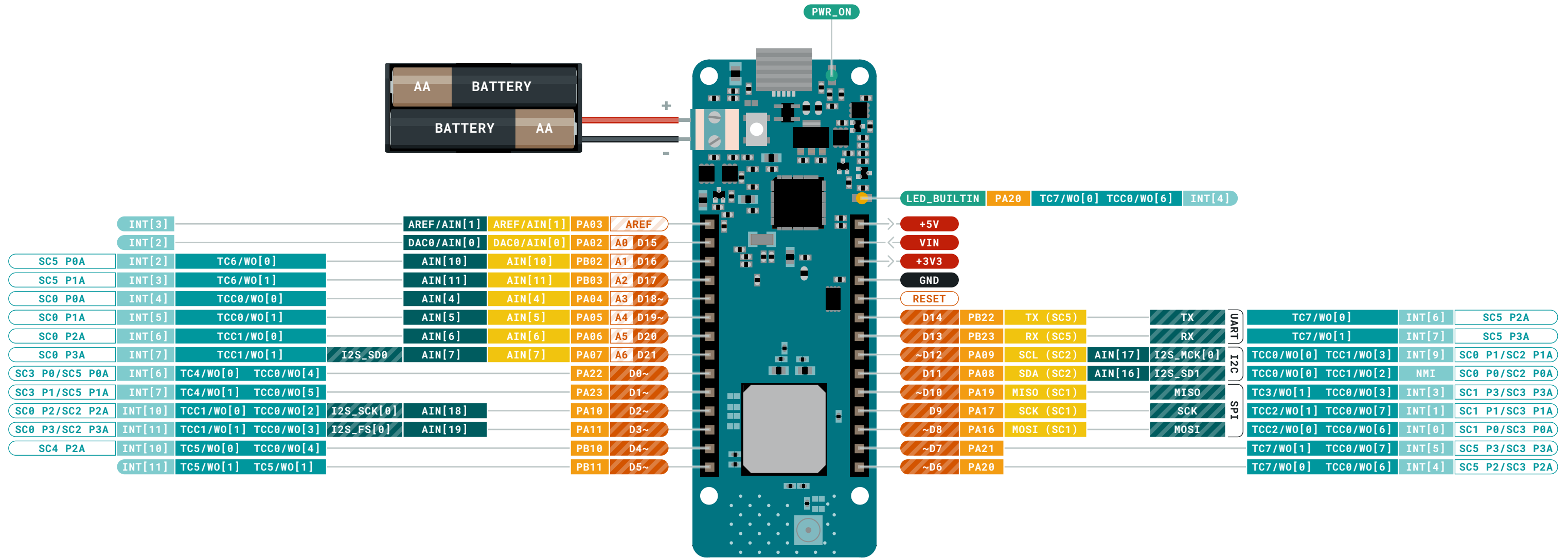


- Ground
- Power
- LED
- Internal Pin
- SWD Pin
- Digital Pin
- Analog Pin
- Other Pin
- Microcontroller's Port
- Default

- ⚠ **MAXIMUM** current per pin is 7mA
- ⚠ **MAXIMUM** source current is 46mA
- ⚠ **MAXIMUM** sink current is 65mA per pin group

VIN Input voltage to the board.



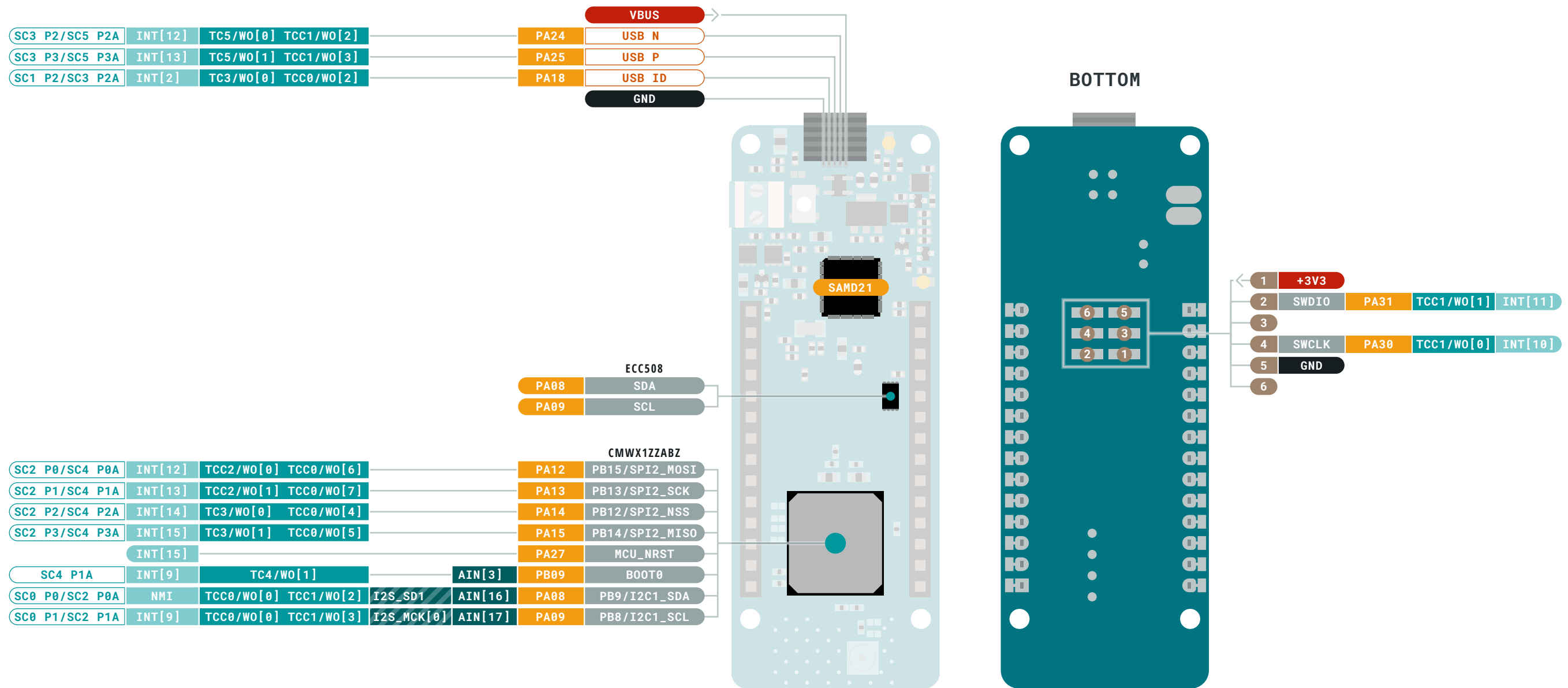


- Ground
- Power
- LED
- Internal Pin
- SWD Pin
- Digital Pin
- Analog Pin
- Other Pin
- Microcontroller's Port
- Default
- Analog
- Communication
- Timer
- Interrupt
- Sercom

- ⚠ **MAXIMUM** current per pin is 7mA
- ⚠ **MAXIMUM** source current is 46mA
- ⚠ **MAXIMUM** sink current is 65mA per pin group

VIN Input voltage to the board.





- Ground
- Power
- LED
- Internal Pin
- SWD Pin
- Digital Pin
- Analog Pin
- Other Pin
- Microcontroller's Port
- Default
- Analog
- Communication
- Timer
- Interrupt
- Sercom

- ⚠ **MAXIMUM** current per pin is 7mA
- ⚠ **MAXIMUM** source current is 46mA
- ⚠ **MAXIMUM** sink current is 65mA per pin group

VIN Input voltage to the board.

