

- Ground
- Power
- LED
- Internal Pin
- SWD Pin
- Digital Pin
- Analog Pin
- Other Pin
- Microcontroller's Port
- Default

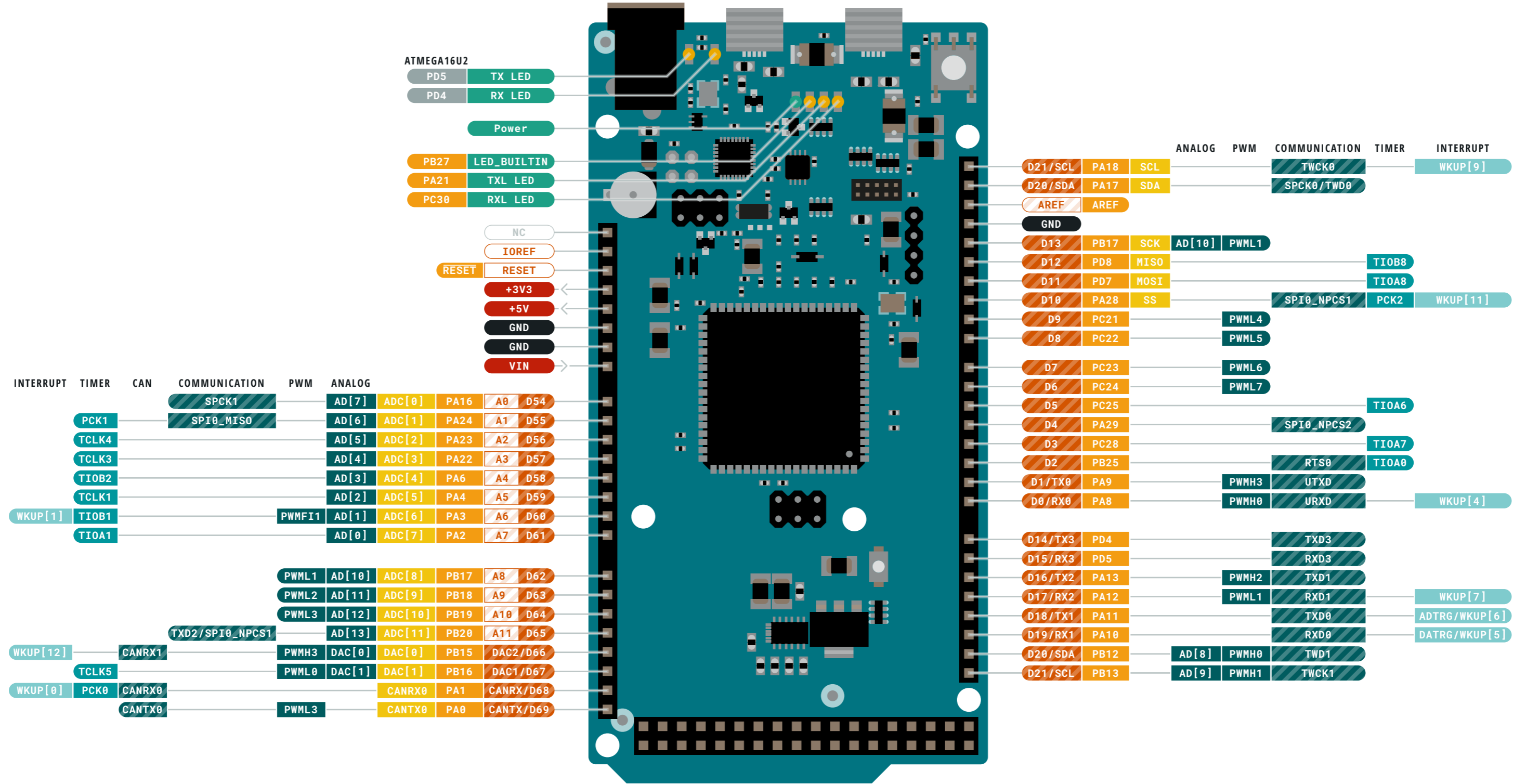
⚠ TOTAL DC OUTPUT current per I/O lines is 130mA

VIN 6-20 V input to the board.

The ADC's channel 15 is not available because connected to the ATSAM3X8E temperature sensor

To check the maximum currents applicable per pins please see the datasheet at STORE.ARDUINO.CC/ARDUINO-DUE





Ground	Digital Pin	Analog
Power	Analog Pin	Communication
LED	Other Pin	Timer
Internal Pin	Microcontroller's Port	Interrupt
SWD Pin	Default	Memory

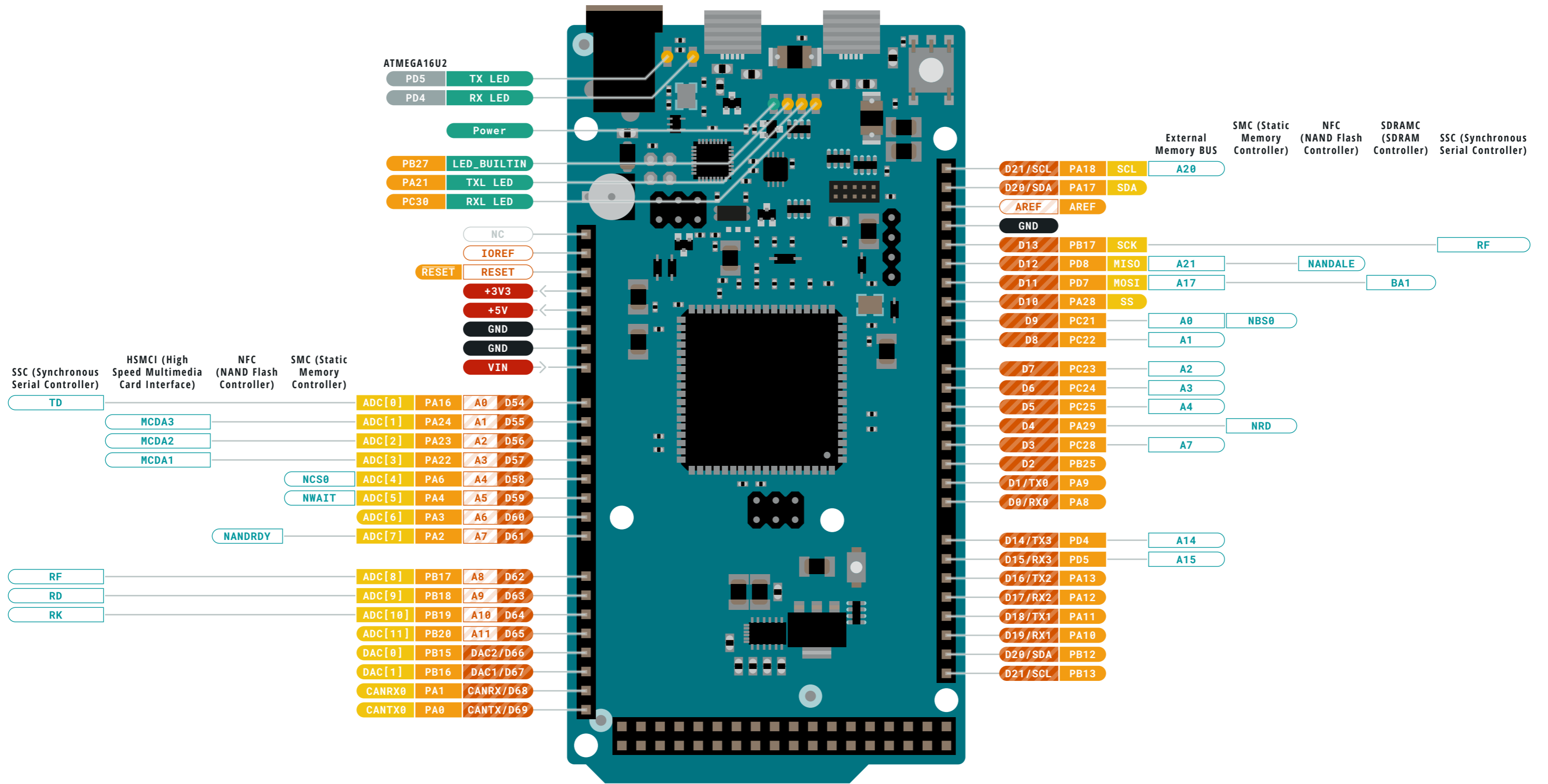
TOTAL DC OUTPUT current per I/O lines is 130mA

VIN 6-20 V input to the board

The ADC's channel 15 is not available because connected to the ATSAM3X8E temperature sensor

To check the maximum currents applicable per pins please see the datasheet at STORE.ARDUINO.CC/ARDUINO-DUE





- Ground
- Power
- LED
- Internal Pin
- SWD Pin
- Digital Pin
- Analog Pin
- Other Pin
- Microcontroller's Port
- Default
- Analog
- Communication
- Timer
- Interrupt
- Memory

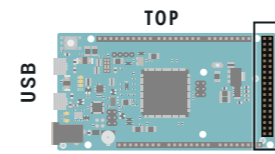
⚠ TOTAL DC OUTPUT current per I/O lines is 130mA

VIN 6-20 V input to the board

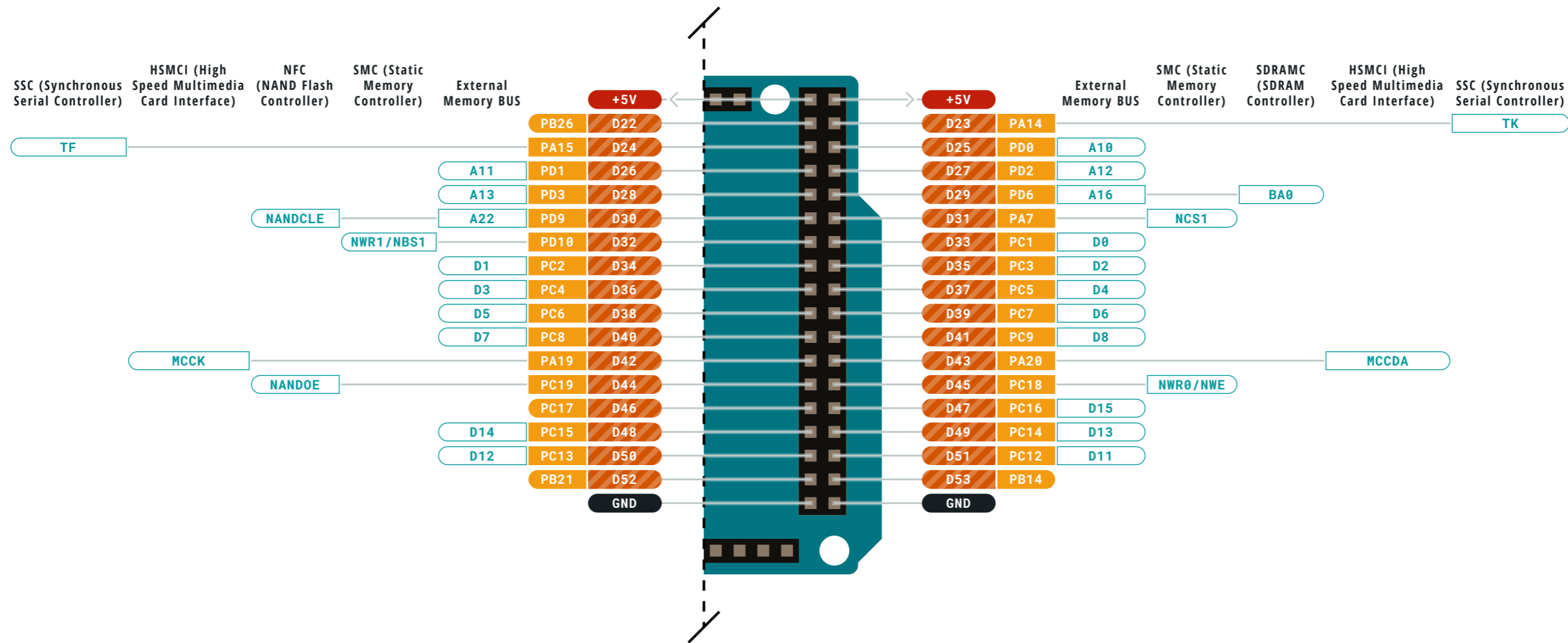
The ADC's channel 15 is not available because connected to the ATSAM3X8E temperature sensor

To check the maximum currents applicable per pins please see the datasheet at STORE.ARDUINO.CC/ARDUINO-DUE





Digital pins D22-D53



- Ground
- Power
- LED
- Internal Pin
- SWD Pin
- Digital Pin
- Analog Pin
- Other Pin
- Microcontroller's Port
- Default
- Analog
- Communication
- Timer
- Interrupt
- Memory

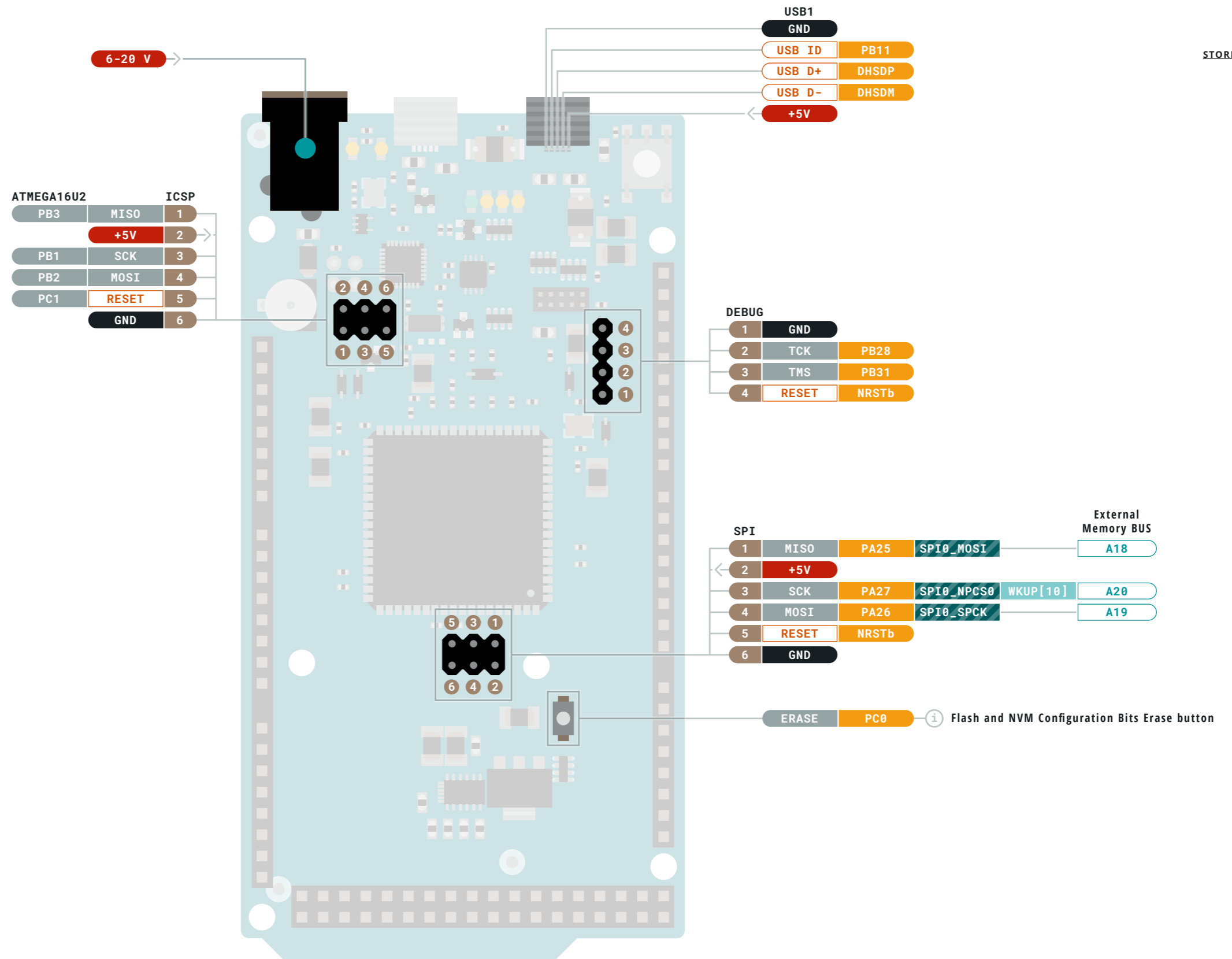
! TOTAL DC OUTPUT current per I/O lines is 130mA

VIN 6-20 V input to the board

The ADC's channel 15 is not available because connected to the ATSAM3X8E temperature sensor

To check the maximum currents applicable per pins please see the datasheet at STORE.ARDUINO.CC/ARDUINO-DUE





- Ground
- Power
- LED
- Internal Pin
- SWD Pin
- Digital Pin
- Analog Pin
- Other Pin
- Microcontroller's Port
- Default
- Analog
- Communication
- Timer
- Interrupt
- Memory

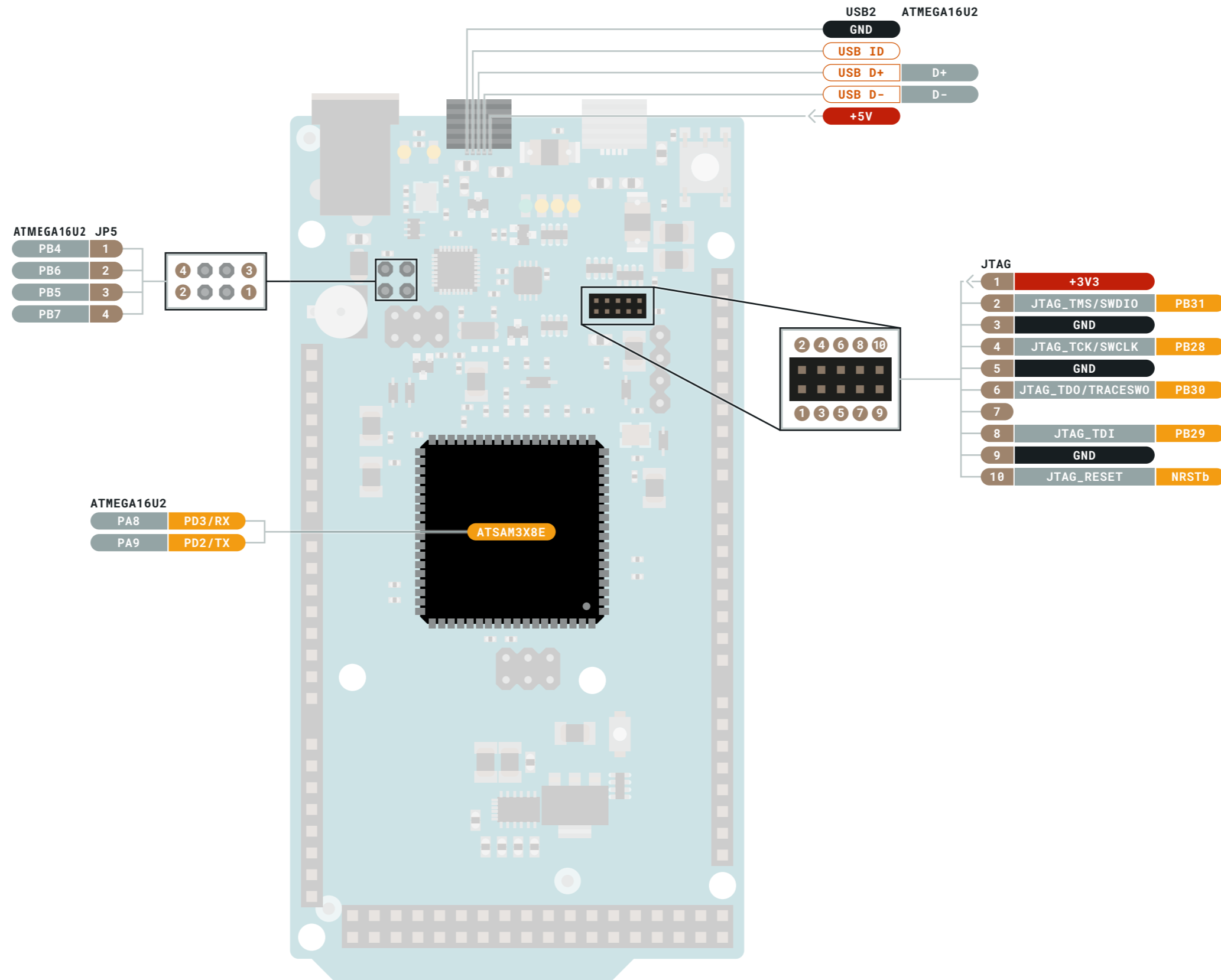
⚠ TOTAL DC OUTPUT current per I/O lines is 130mA

VIN 6-20 V input to the board

The ADC's channel 15 is not available because connected to the ATSAM3X8E temperature sensor

To check the maximum currents applicable per pins please see the datasheet at STORE.ARDUINO.CC/ARDUINO-DUE





- Ground
- Power
- LED
- Internal Pin
- SWD Pin
- Digital Pin
- Analog Pin
- Other Pin
- Microcontroller's Port
- Default

⚠ TOTAL DC OUTPUT current per I/O lines is 130mA

VIN 6-20 V input to the board.

The ADC's channel 15 is not available because connected to the ATSAM3X8E temperature sensor

To check the maximum currents applicable per pins please see the datasheet at STORE.ARDUINO.CC/ARDUINO-DUE

